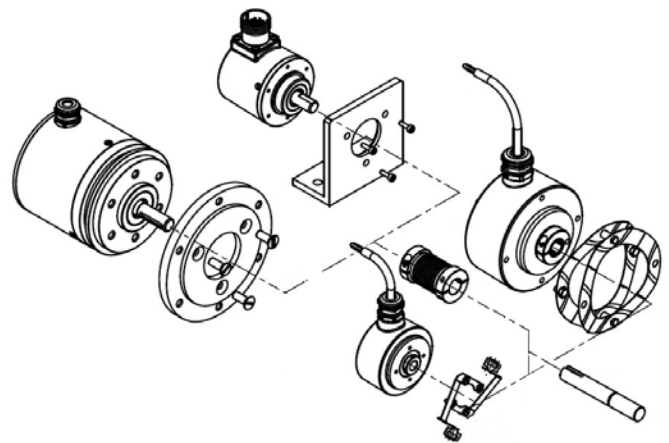


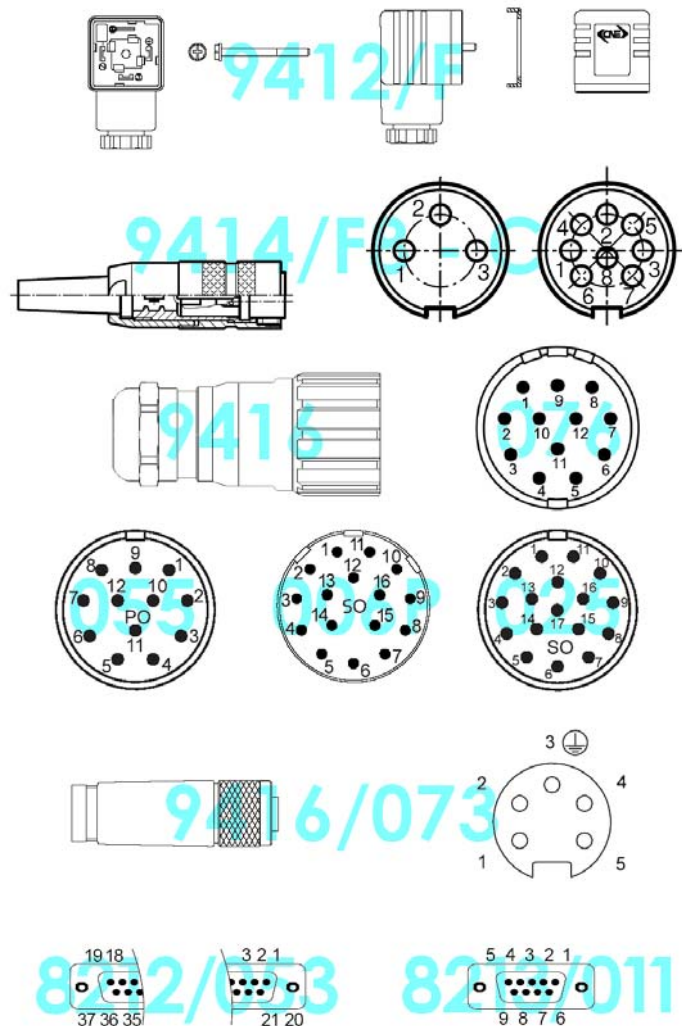
Modèle codeur	Accouplement DAC	Bride ou Equerre		Bague de réduction
GHM406	9403/ x - x	/	/	/
GZT406	MKITDAC 9445/ 006	/	/	/
DHM506 CHM506 PHM506	9403/ x - x	M9500/003 et M9500/014	M9202	/
DHM510 CHM510 PHM510	9403/ x - x	M9500/003 et M9500/014	M9202	/
DHO514 CHO514 PHO514	M9445/015	/	/	9431/A y
MHM510	9403/ x - x	/	M9202	/
MHK515	9445/017 ¹⁾	/	/	9432/ z
GHM911 CHM911 SHM911	9401/ x - x	M9500/007 ¹⁾	/	/
GHM912 CHM912 SHM912	9401/ x - x	M9500/007 ou M9500/015	M9302	/
GHU930 CHU930	MKITDAC 9445/009	/	/	9418/ l w
SHU930	MKITDAC 9445/009	/	/	9419/ l w
Connectique	Contre connecteur femelle	Rallonge de 2m Rallonge de 5m...		-020 -050
G1	9412/F	/		
C (3pins)	CB3	/		
GD & C (8pins)	9414/F8	9414/F8 - 8230/020 - GD -020		
G6	9416/076	9416/076 - 8230/020 - G6 -020		
V6, N6	9416/076	9416/076 - 8230/003 - N6 -020		
G8	9416/055	9416/055 - 8230/050 - G8 -020		
CP	9416/006P	9416/006P- 8230/004 - CP -020		
C1	9416/025	/		
C6, S6	9416/076	9416/076 - 8230/070 - S6 -020		
C8, S8	9416/055	9416/055 - 8230/070 - S8 -020		
S3	E 8212/053	8212/053 - 8230/119 - S3 -020		
BA, B1	9416/073	/		
BB, B2	E8213/011	/		
Câble	Type			
8230/020	8 fils, (6 x 0.14mm ² + 2 x 0.22mm ²), PVC			
8230/050	12 fils, (4 x 2 x 0.15mm ² + 4 x 0.25mm ²), PUR			
8230/003	12 fils, (12 x 0.14mm ²), PVC			
8230/004	16 fils, (16 x 0.14mm ²), PVC			
8230/070	8 fils, 3 x (2 x 0.14mm ²) + 2 x 0.5mm ² , PUR			
8230/119	36 fils, 36 x 0.14mm ² , PVC			



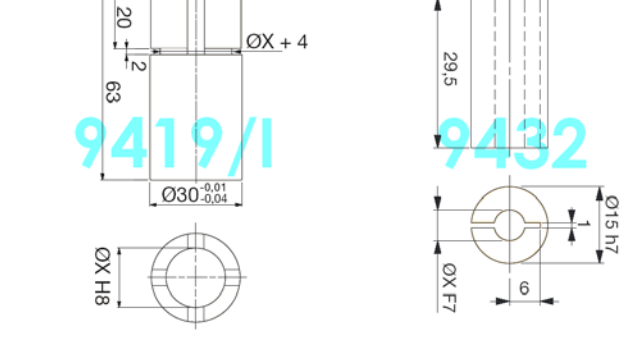
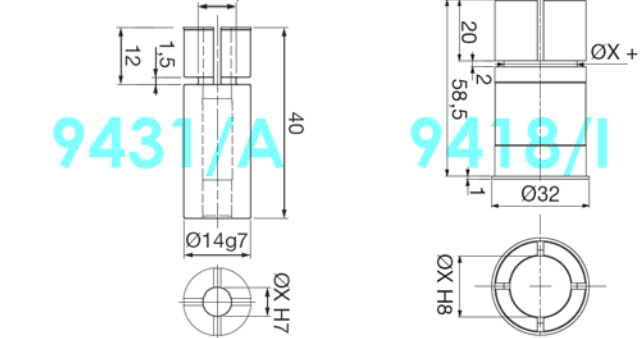
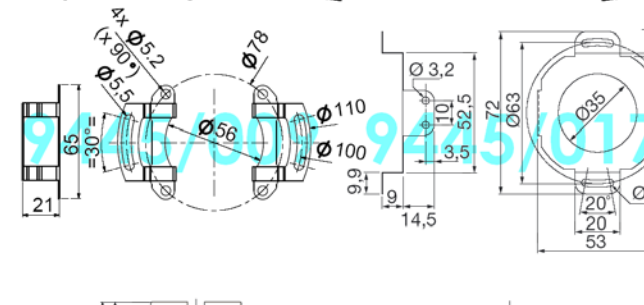
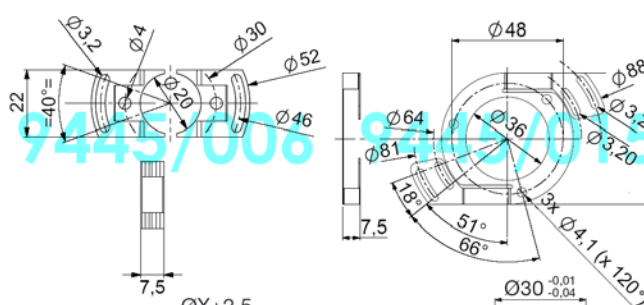
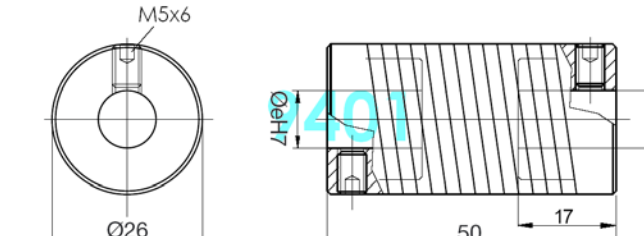
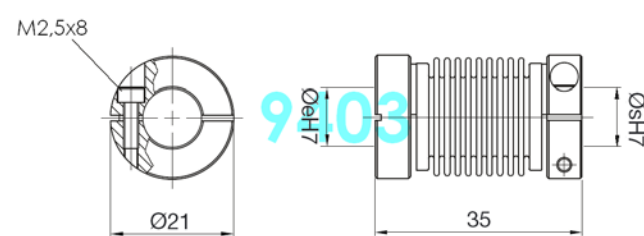
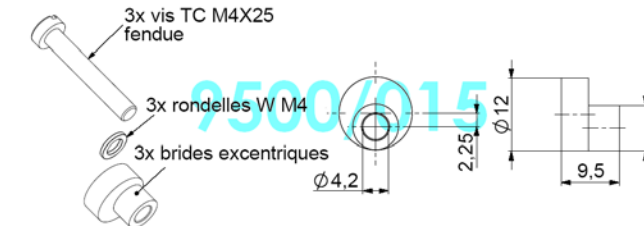
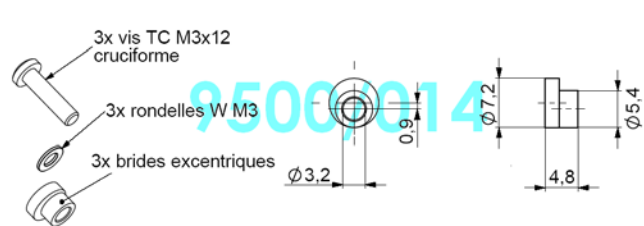
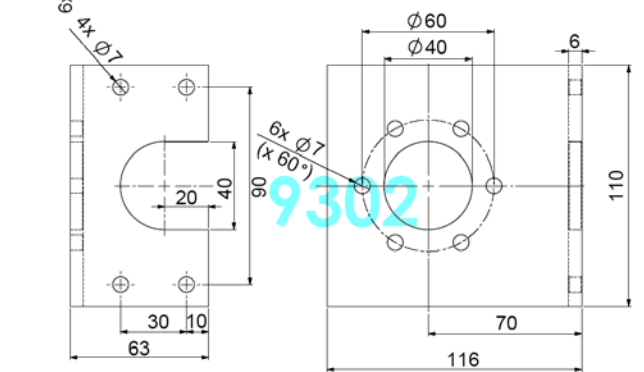
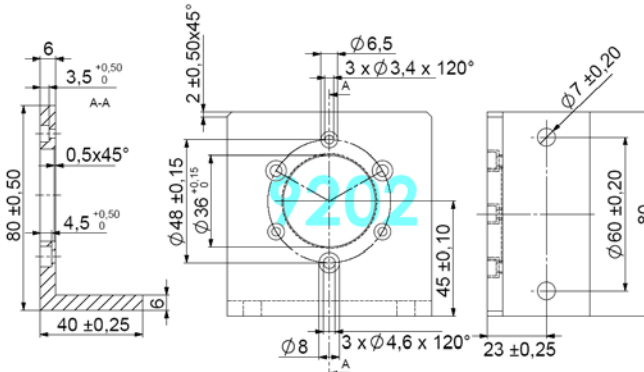
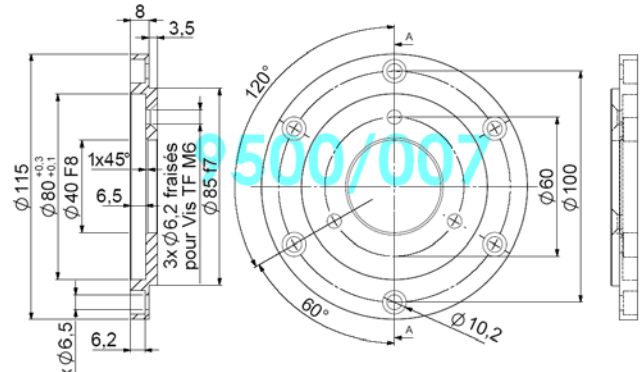
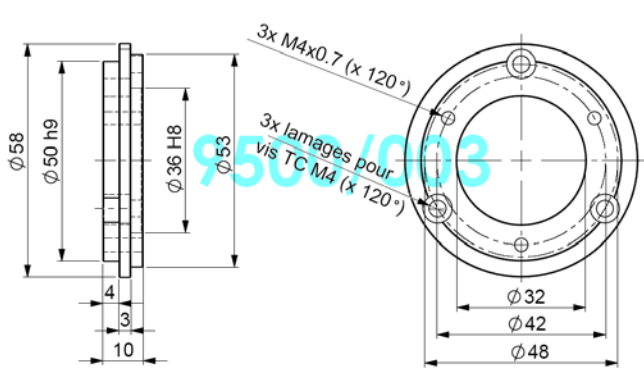
Alésages standards disponibles

x	06 08 10 12 14
y	06 08 10 12
z	06 08 10 12 14
w	10 12 14 16 18 20 25

¹⁾ la bride/le DAC est déjà monté sur le codeur en standard



ACCESSOIRES MECANQUES



9431/A

9418/I

9419/I

9432

Incremental Encoders - Tacho encoders - optotacho encoders

Mounting accessories



Anti-rotation devices • DAC • MEFLEX

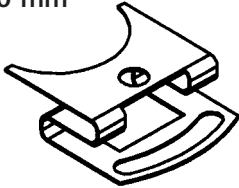
Anti-rotation devices for all type of hollow-shaft encoders

Anti-rotation devices "DAC"

DAC could be fixed on 2 or 4 points on the encoder. The allowed misalignments are as follows: axial ± 2 mm, angular $\pm 3^\circ$, radial for the DACs fixed on 2 point ± 0.2 mm and radial for the DACs fixed on 4 point ± 0.05 mm..

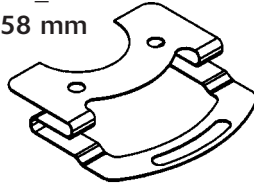
ref. 9445/006

GZT4
 $\varnothing 40$ mm



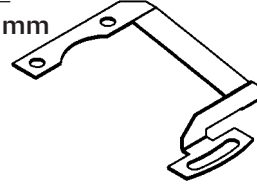
ref. 9445/010

GHK5 • GHO5
 IHT5_0
 $\varnothing 58$ mm



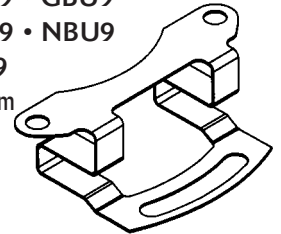
ref. 9445/002

GHK5 • GHO5
 IHT5_0
 $\varnothing 58$ mm



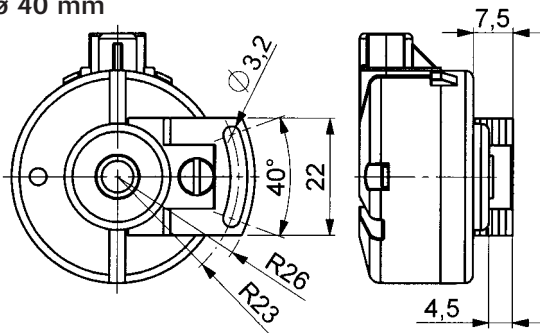
ref. 9445/009

GHU9 • GBU9
 NHU9 • NBU9
 GHT9
 $\varnothing 90$ mm



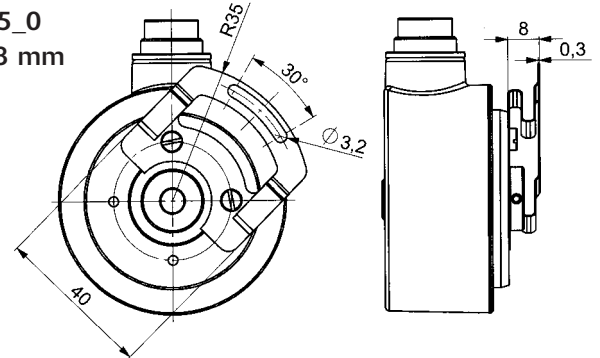
ref. 9445/006

GZT4
 $\varnothing 40$ mm



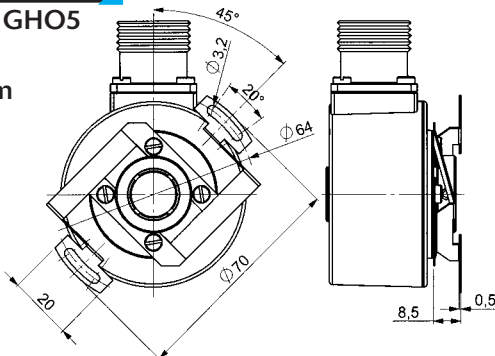
ref. 9445/010

GHK5 • GHO5
 IHT5_0
 $\varnothing 58$ mm



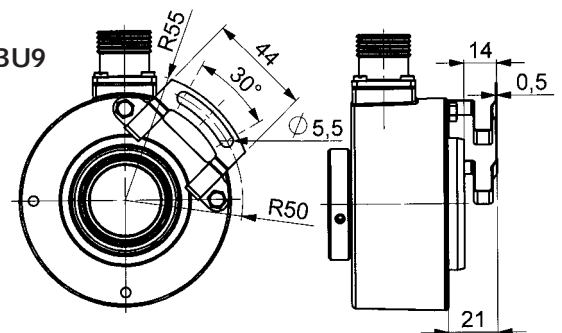
ref. 9445/002

GHK5 • GHO5
 IHT5_0
 $\varnothing 58$ mm



ref. 9445/009

GHU9 • GBU9
 GHT9
 NHU9 • NBU9
 $\varnothing 90$ mm



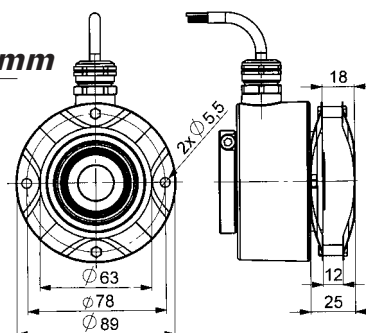
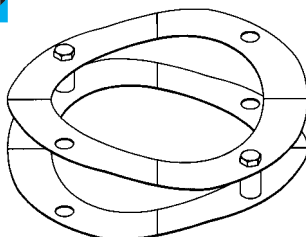
Anti-rotation device "MEFLEX"

The "Meflex" can bear an axial offset (± 3 mm), radial ($\pm 0,3$ mm) and angular (± 5 mm).

Incremental encoders and tacho encoders - $\varnothing 90$ mm

ref. 9445/004

GHT9 • GBU9
 GHU9
 NHU9 • NBU9
 $\varnothing 90$ mm



Incremental Encoders - Tacho encoders - optotacho encoders

Mounting accessories



Brackets

Aluminium mounting brackets

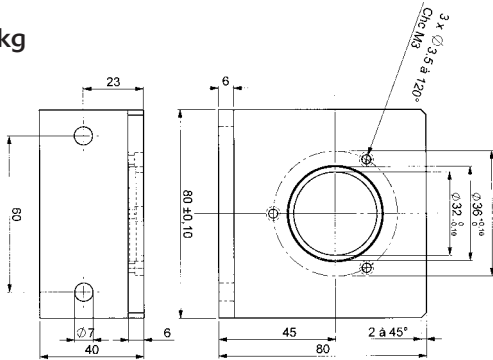
Aluminium spring : adjustable compensating brackets for linear measuring

Mounting brackets

ref. 9202

GHM5

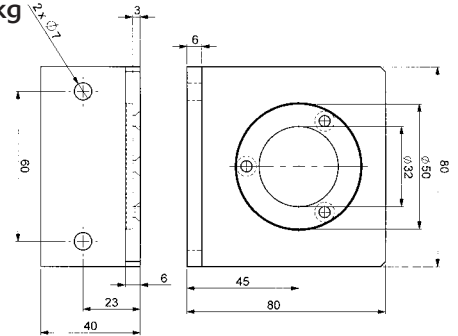
Weight : 0,130 kg



ref. 9204

GHM5_S

Weight : 0,130 kg



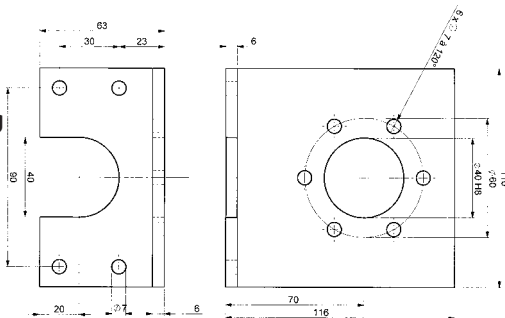
ref. 9302

GHM9 • GBM9

NHM9 • NBM9

GZMA

Weight : 0,245 kg

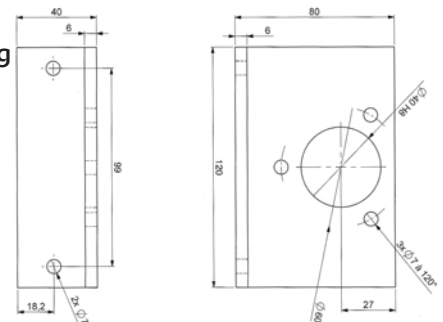


ref. 9301

GHM9 • GBM9

NHM9 • NBM9

Weight : 0,130 kg



Ajustable spring brackets

ref. 9212

GHM5

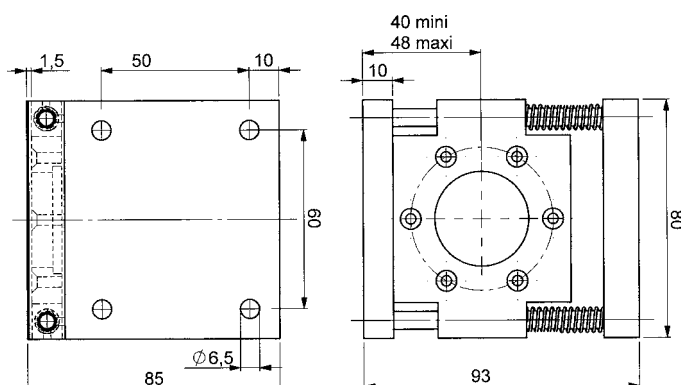
Springs : galvanized steel

Guiding rods : Z40C13 (stainless steel)

Weight : 0,345 kg

6 fixation points \varnothing 3,5 mm

on a \varnothing 48 mm



ref. 9213

GHM9 • GBM9 • NHM9 • NBM9

Springs : galvanized steel

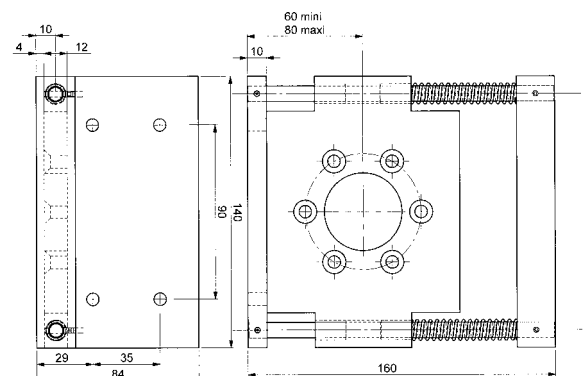
Guiding rods : Z40C13 (stainless steel)

Weight : 0,940 kg

6 fixation points \varnothing 6,5 mm on a \varnothing 60 mm

Available in stainless steel, rf. 9206

Weight : 2,94 kg



Incremental Encoders

Mounting accessories

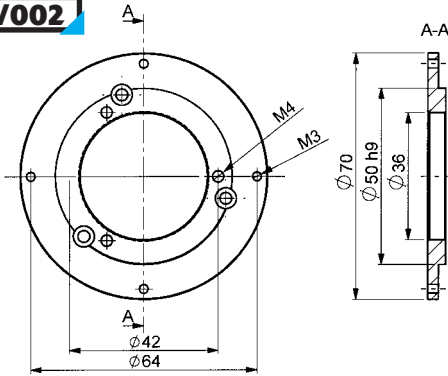


Flanges

Large choice of built-in and added flanges for all encoder standards.

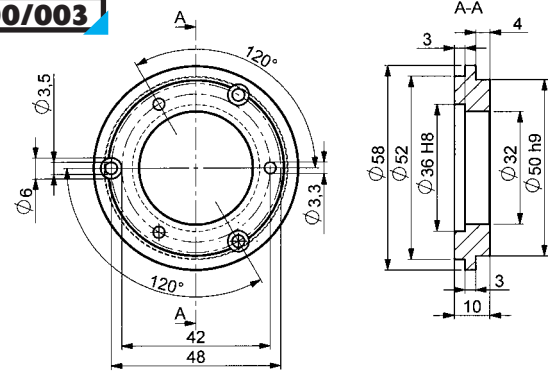
Flanges for $\varnothing 58$ mm encoders - Aluminium

ref. 9500/002
GHM5



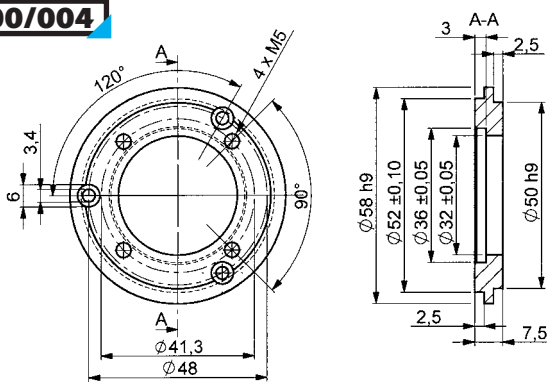
ref. 9500/003
GHM5

Synchro mounts

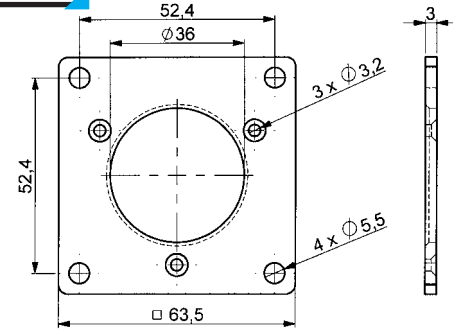


ref. 9500/004
GHM5

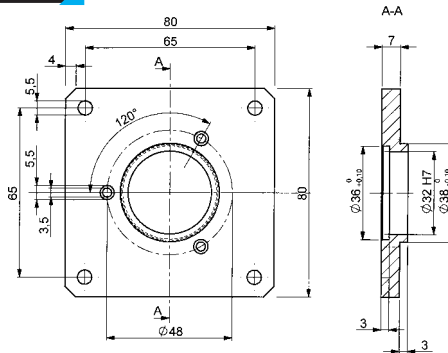
Synchro mounts



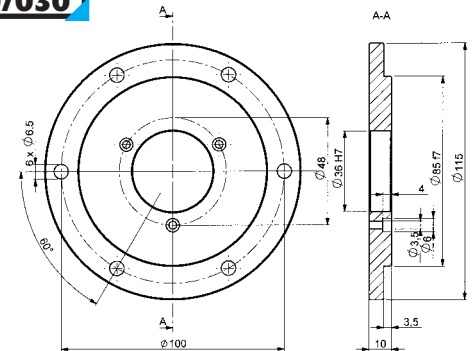
ref. 9500/005
GHM5



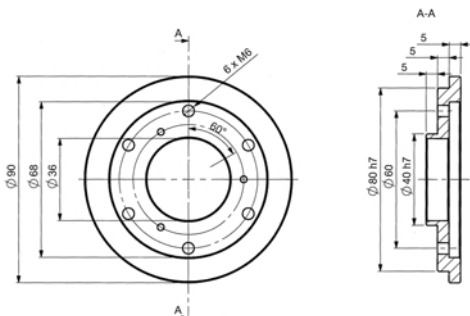
ref. 9500/006
GHM5



ref. 9500/030
GHM5

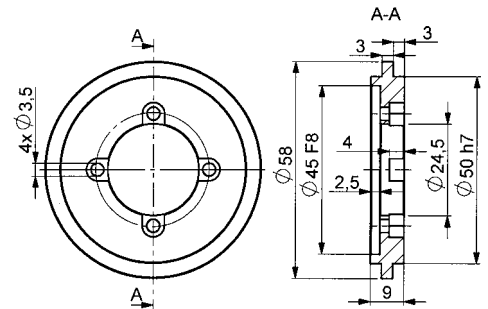


ref. 9500/043
Adapted flanges
GHM9/GHM5



ref. 9500/041
GHO5, GHK5

Synchro mounts



Incremental Encoders - Tacho encoders - optotacho encoders

Mounting accessories

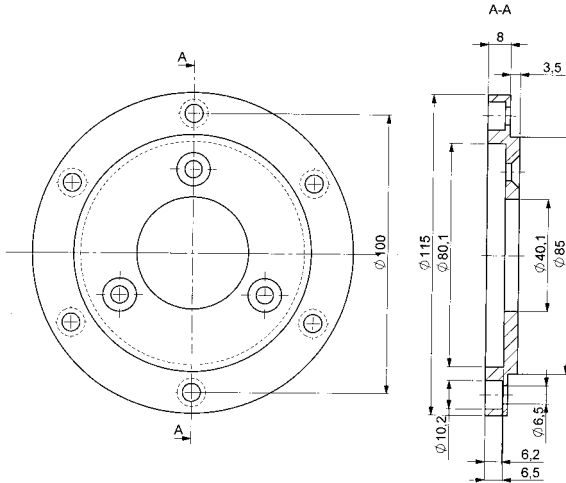


Flanges for $\varnothing 90$ mm encoders - Aluminium

ref. 9500/007

GHM9 • GBM9
NHM9 • NBM9

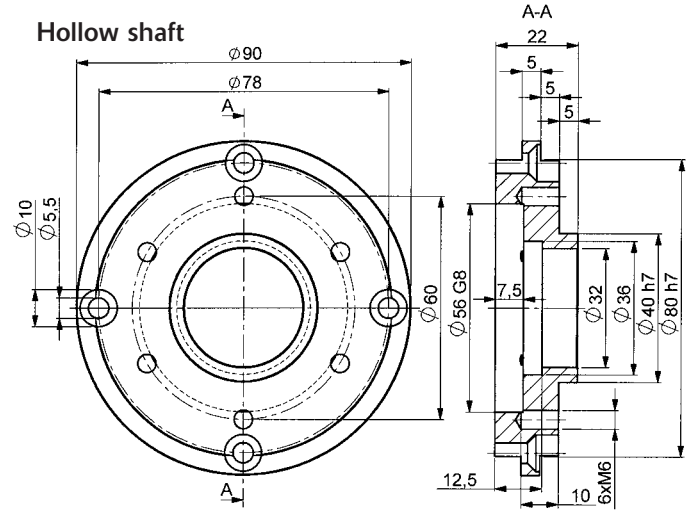
Solid shaft



ref. 9500/028

GHT9 • GHU9 • GBU9
NHU9 • NBU9

Hollow shaft



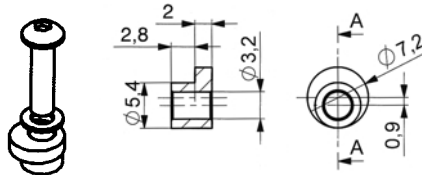
Fixed eccentric flanges

Kit of 3 eccentric flanges with fixing screws and allen key.

ref. 9500/014

GHM4
GHM5_S

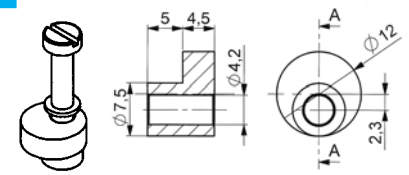
$\varnothing 40$ mm, $\varnothing 58$ mm,
Nickel coated brass



ref. 9500/015

GHM9_12
GBM9_12
NHM9_12
NBM9_12

$\varnothing 90$ mm, stainless steel



Assembly kits for encoders with built-in coupling - $\varnothing 58$ mm

ref. MKIT • GHA5

for GHA5 encoders

A set of 3 eccentric flanges with fixing screws, allen key, indexing gauges and sealing plug.

Isolating reduction hub for GHU9_30 encoders

9418/I10	Diameter 10 mm
9418/I12	Diameter 12 mm
9418/I14	Diameter 14 mm
9418/I15	Diameter 15 mm
9418/I16	Diameter 16 mm
9418/I18	Diameter 18 mm
9418/I20	Diameter 20 mm
9418/I24	Diameter 24 mm
9418/I25	Diameter 25 mm
9418/I28	Diameter 28 mm

For other bore diameters and non-isolating reduction hub :
please contact us.

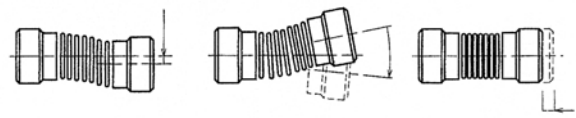
Incremental Encoders - Tacho encoders - optotacho encoders

Couplings



Large choice of couplings for all solid shaft encoders

For precise measures, homokinetic coupling with concentric clamping must be used (9403, 9404).



ref. 9400

Flexible washer coupling

(mm)	∅ X1 H7	∅X2 H7
9400/06-06	6	6
9400/06-10	6	10
9400/06-12	6	12
9400/08-06	8	6
9400/08-08	8	8
9400/08-10	8	10
9400/08-12	8	12
9400/10-10	10	10
9400/10-12	10	12
9400/12-12	12	12

Available between 6 and 16 mm

ref. 9401

Spring coupling

Ring : zinc alloy

Spring : nickel steel

(mm)	∅ X1 H7	∅X2 H7
9401/06-06	6	6
9401/06-10	6	10
9401/06-12	6	12
9401/08-06	8	6
9401/08-08	8	8
9401/08-10	8	10
9401/08-12	8	12
9401/10-10	10	10
9401/10-12	10	12
9401/12-12	12	12
9401/12-14	12	14
9401/14-14	14	14

Available between 6 and 14 mm

ref. 9402

Miniature spring coupling

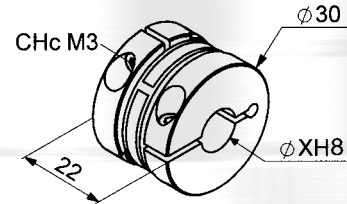
Ring : Zinc alloy

Spring : nickel steel

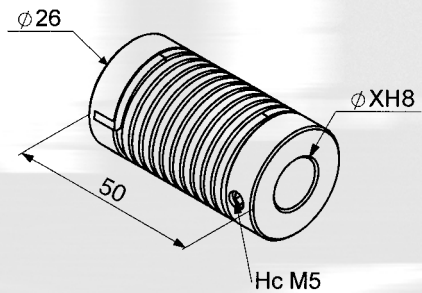
(mm)	∅ X1 H7	∅X2 H7
9402/06-06	6	6

Available between 4 and 8 mm

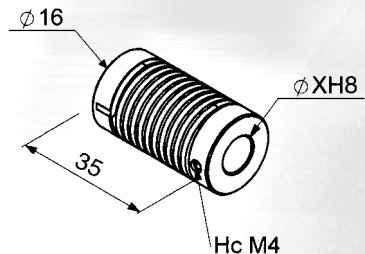
Dimensions (mm)/Performances



Performances	9400
Continue forque (Ncm)	60
Statical radial offset* (mm)	+/-0,3
Maximal statical compression extension* (mm)	+/-0,4
Statical angular offset* (°)	+/-2,5
Angular rigidity (Nm/rad)	30



Performances	9401
Continue forque (Ncm)	300
Statical radial offset* (mm)	+/-1,5
Maximal statical compression extension* (mm)	+/-1
Statical angular offset* (°)	+/-5



Performances	9402
Continue forque (Ncm)	100
Statical radial offset* (mm)	+/-1
Maximal statical compression extension* (mm)	+/-1
Statical angular offset* (°)	+/-5

*statical : variation of speed : +/-10%

Incremental Encoders - Tacho encoders - optotacho encoders

Couplings



ref. 9403

Precision bellow coupling
 Belows : stainless steel
 Fixation screw : stainless steel
 Fixation ring : aluminium

(mm)	ø X1 H7	øX2 H7	Y
9403/06-10	6	10	21
9403/10-10	10	10	21
9403/12-12	12	12	24

Available between 4 and 12 mm

ref. 9404

Precision bellow coupling
 Below : electroplated nickel
 Fixation screw : stainless steel
 Fixation ring : aluminium

(mm)	ø X1 H7	øX2 H7
9404/06-06	6	6
9404/06-10	6	10
9404/06-12	6	12
9404/08-06	8	6
9404/08-08	8	8
9404/08-10	8	10
9404/08-12	8	12
9404/10-10	10	10
9404/10-12	10	12
9404/12-12	12	12

Available between 6 and 14 mm

ref. 9410

"OLDHAM" coupling
 Hub : anodised aluminium
 Disk : homopolymere of acetate
 Screw : steel
 Electrical isolation : >3 kV

(mm)	ø X1 H7	øX2 H7	øY	Z	P
9410/A06-06	6	6	33,3	48	13
9410/A06-10	6	10	33,3	48	13
9410/A08-08	8	8	33,3	48	13
9410/A08-12	8	12	33,3	48	13
9410/A10-10	10	10	33,3	48	13
9410/A12-12	12	12	33,3	48	13
9410/B10-10	10	10	41,3	50,8	16,7
9410/B12-12	12	12	41,3	50,8	16,7
9410/C06-06	6	6	25,4	28,4	8,6
9410/C06-10	6	10	25,4	28,4	8,6
9410/C10-10	10	10	25,4	28,4	8,6

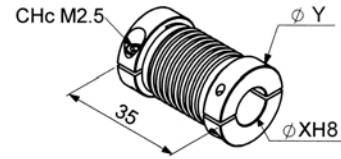
Available between 6 and 14 mm (but 9410/C from 6 to 10)

ref. 9417

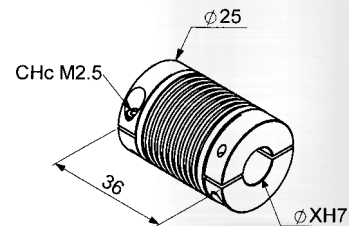
Plastic coupling

(mm)	ø X1 H7	øX2 H7
9417/06-06	6	6

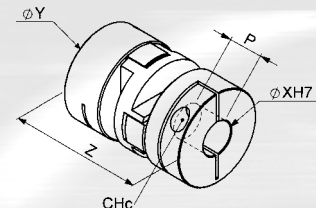
Dimensions (mm)/Performances



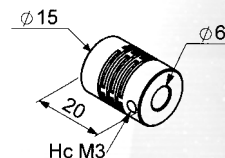
Performances	9403
Continue forque (Ncm)	80
Statical radial offset* (mm)	+/-0,3
Maximal statical compression extension* (mm)	+/-0,5
Statical angular offset* (°)	4
Angular rigidity (Nm/rad)	140



Performances	9404
Continue forque (Ncm)	66
Statical radial offset* (mm)	+/-0,46
Maximal statical compression extension* (mm)	-2,77 +2,07
Statical angular offset* (°)	8
Angular rigidity (Nm/rad)	462



Performances	9410/A	9410/B	9401/C
Statical radial offset* (mm)	0,2	0,25	0,2
Maximal statical compression extension* (mm)	0,15	0,15	0,1
Statical angular offset* (°)	0,5	0,5	0,5
Angular rigidity (Nm/rad)	615	1200	205



Performances	9417
Continue forque (Ncm)	20
Désalignement radial statique* (mm)	+/-0,3
Maximal statical compression extension* (mm)	+/-2
Statical angular offset* (°)	+/-2,5
Angular rigidity (Nm/rad)	12

*statal : variation of speed : +/-10%

Incremental Encoders - Tacho encoders - optotacho encoders

Measuring accessories



Measuring wheel

ref. 9108/9109/9110

Measuring wheel, circumference 200 mm
Aluminium hub

Ref.	ø X H7 (mm)	Coating
9108/06	6	Plastic polyuretane
9108/08	8	
9108/10	10	
9109/06	6	knobbed rubber
9109/08	8	
9109/10	10	
9110/06	6	Knurled aluminium
9110/08	8	
9110/10	10	

Essentially for Ø 58 mm encoders

ref. 9101/9102/9103

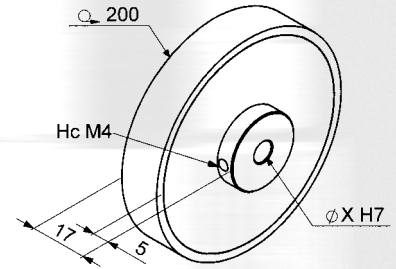
Measuring wheel, circumference 500 mm
Aluminium hub

Ref.	ø X H7 (mm)	Coating
9101/08	8	Plastic polyuretane
9101/10	10	
9101/12	12	
9102/08	8	knobbed rubber
9102/10	10	
9102/12	12	
9103/08	08	Knurled aluminium
9103/10	10	
9103/12	12	

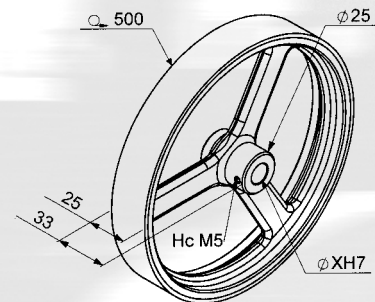
Essentially for Ø 90 et Ø 102 mm

Dimensions (mm)

9108/9109/9110



9101/9102/9103



Racks

ref. 9214

Ref.	Y (mm)	Diametral	Material
9214/001*	1000	1	Stell C45
9214/002	1000	1,591	Stell C45
9214/003	2000	1,591	Stell C45
9214/006	1000	1,591	Stainless steel

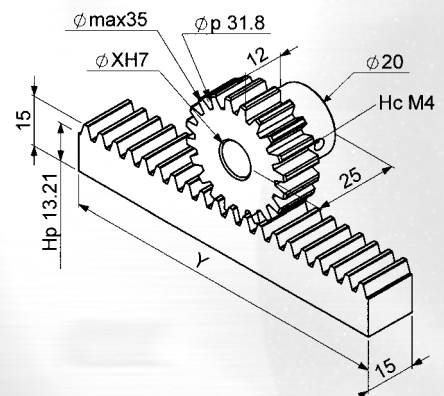
Pinions

ref. 9215

Ref.	X (mm)	Nb teeth	Diametral	Material
9215/001*	06	16	1	Stell C45
9215/002	08	20	1,591	Stell C45
9215/003	9,52	20	1,591	Stell C45
9215/004	10	20	1,591	Stell C45
9215/005	12	20	1,591	Stell C45
9215/006	12	20	1,591	Stainless steel

* dimensions : please contact us

9214/9215





Signal treatment

In addition to our range of incremental encoder, we market a wide range of electrical and electronic accessories like:

- Digital displays for incremental encoders: measures and display of angular position, linear movements, linear and rotation speed.
- Signal processing devices: multi-channel amplifiers, D/A converters, etc...

Please contact us.

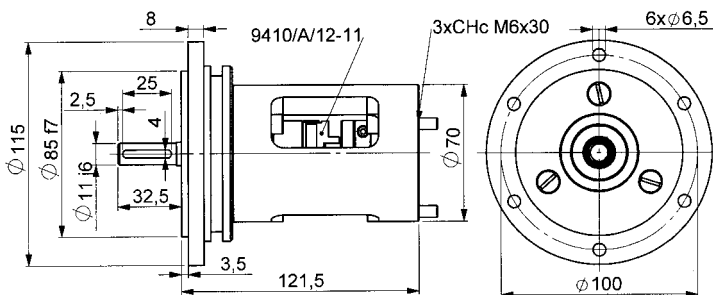


High load coupling devices

Intermediate bearings for high radial and axial loads.

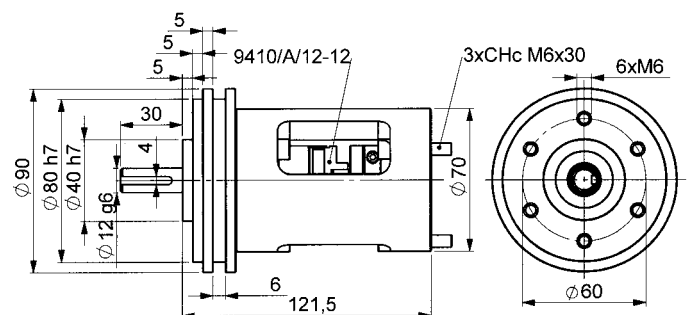
MPAL 11

with fixing flange corresponding to with GHM9_11



MPAL 12

with fixing flange corresponding to with GHM9_12



Fixing bells

9616

Plastic strengthened with glass fiber for GHM5_S6 only.

