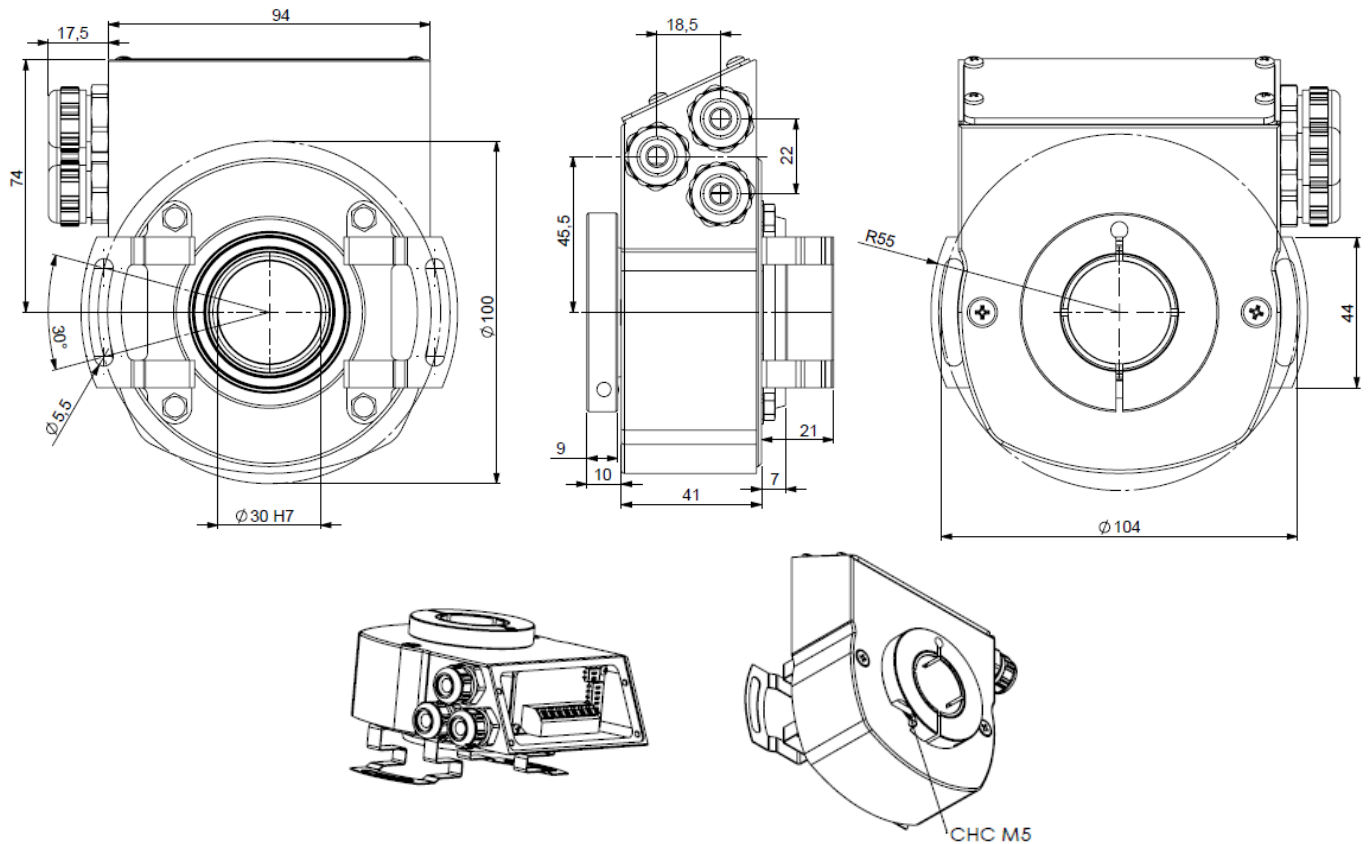


ABSOLUTE MULTI-TURN ENCODER, PROFIBUS INTERFACE, PHU9 SERIE

- Profibus encoder - Ø30mm through shaft version
- PEEK or aluminium reduction hubs available : 10 to 28mm,
- Robustness and excellent resistance to shocks / vibrations,
- Double or triple mounting possibility (incremental – tacho or absolute interfaces),
- High protection level IP65,
- High performances in temperature -20°C to +80°C
- 5 to 30 Vdc power supply,
- High resolution available: 8 192 points par revolution (13 bits resolution),
- Turns numerisation up to 65 536 (16 bits),
- DPV0, Class 2, encoder profile 3.062.
- PHU9 also available with SSI, programmable SSI, RS232 & CANopen interface.



DIMENSION : PHU9 Profibus connection BTR (Terminal box) - with DACs 9445/009* mounted on bearings housing



* : accessory to be ordered separately.

MECHANICAL CHARACTERISTICS

Material	Cover : steel	Shock (EN60068-2-27)	≤ 500 m.s ⁻² (during 6 ms)
	Body : aluminium	Vibration (EN60068-2-6)	≤ 100 m.s ⁻² (10 ... 2 000 Hz)
	Shaft : stainless steel	EMC	EN 61000-6-4, EN 61000-6-2
Bearings	6 807 serie	Isolation	500V (1 min)
Maximal load	Axial : 50 N	Weight (approx.)	1,200 kg
	Radial : 80 N	Operating temperature	- 20... + 80 °C (Encoder T°)
Shaft inertia	≤ 55.10 ⁻⁶ kg.m ²	Storage temperature	- 20... + 80 °C
Torque	≤ 25.10 ⁻³ N.m	Protection(EN 60529)	IP 65
Permissible max. speed	6 000 min ⁻¹	Torque (ring pressure screw)	nominal: 3N.m, break: 4N.m
Continuous max. speed	3 600 min ⁻¹	Theoretical mechanical lifetime 10 ⁹ turns (F _{axial} / F _{radial})	
Shaft seal	Viton	25 N / 40 N : 140	50 N / 80 N : 17

ABSOLUTE MULTI-TURN ENCODER, PROFIBUS INTERFACE, PHU9 SERIE

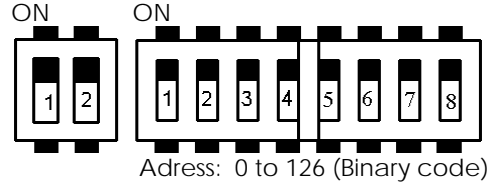
GENERALITY

Power supply : 5-30V consumption <200 mA (160mA typ).

Transmission frequency: from 9.6Kbaud to 12Mbaud.

Electronic interface: opto-isolated RS 485.

Adress: permits the addressing of each encoder in an installation (32 master stations or slaves stations per segment without repetitor, 127 maximum with repetitor).



End line resistance termination: 1, 2 "ON" (Beginning or end line)

Switch - on "ON"	1	2	3	4	5	6	7
=	1	2	4	8	16	32	64

Switch 8 on "OFF".

Example: Adress 5: Switch 1 & 3 on "ON", other on "OFF".

PARAMETRES PROGRAMMABLES

Direction : Permits the definition of the counting direction of the encoder (CW or CCW) following its mechanical position.

Resolution : the number of points per turn can be between 0 and 8192.

Global resolution (MAX RANGE) : Total number of codes of the encoder (2 to 536 870 912).

Reset : defines the value of its actual position.

Time base : defines the base time for the speed calculation (10 ms , 100 ms, 1 s, speed in rpm).

CONNECTION

Integrated terminal box on encoder – "push-in" connection – max 1,5mm².

ORDERING CODE (Special versions upon request, for ex. special flanges/electronics/connections...)

	Shaft Ø	Supply	Interface	Code	Resolution	Tunrs Nb	Connection	Connection orientation
PHU9 Codeur embase alu.	30: 30mm	P : 5 to 30Vdc	BG : Profibus	B: Binary	13 : 8192 points per turn (2 ¹³)	B16 : 65 536 turns (2 ¹⁶)	BT : Terminal box	R : Radial
PBU9 Codeur embase inox	10 to 28mm reduction hub available							
Ex: PHU9	_ 30 //	P	BG	B //	13	B16 //	BT	R

Made in France